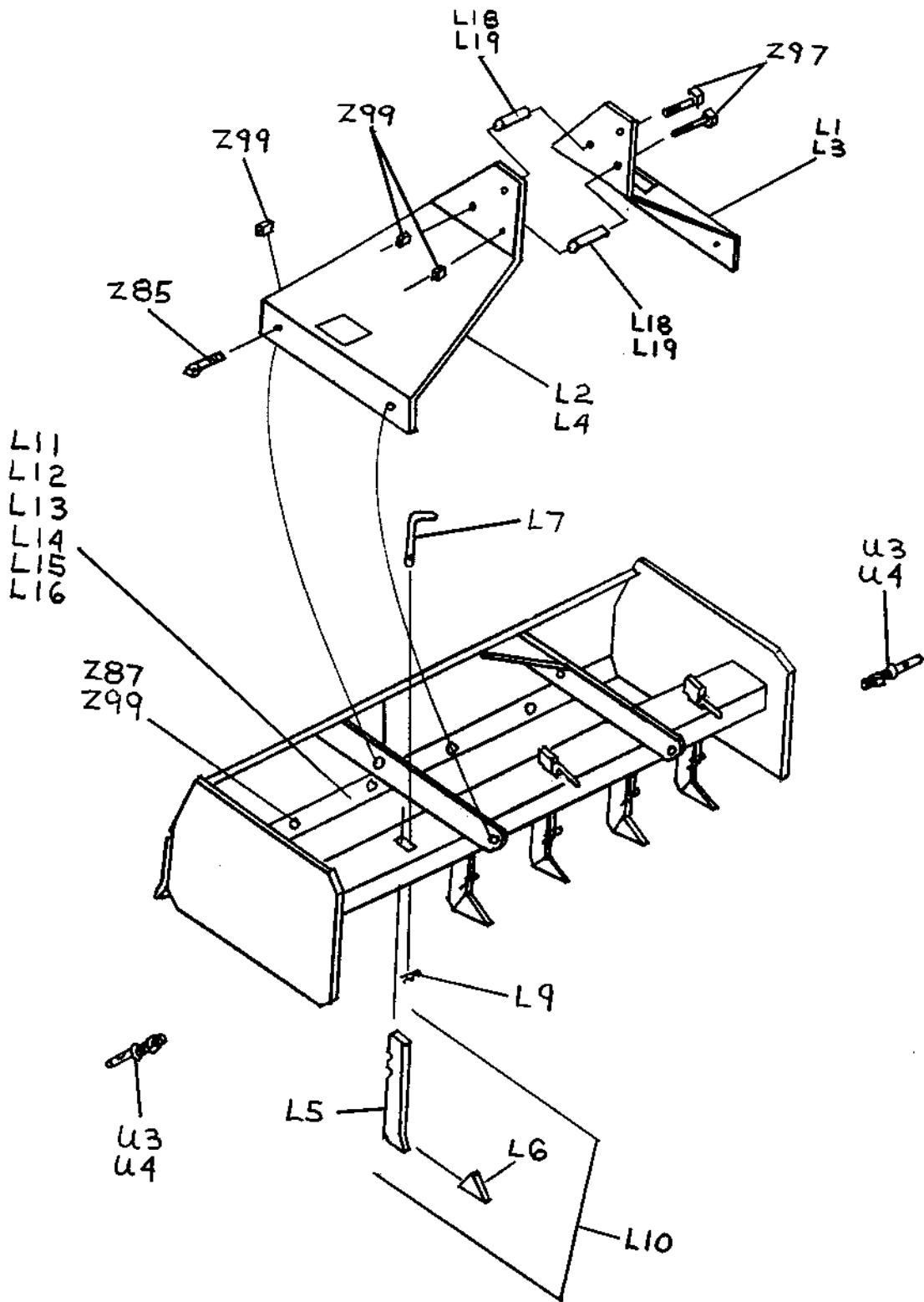


BOX BLADE



BOX BLADE

REF.	PART NO.	DESCRIPTION
L1	B -500-L	A-Frame 1/2 (Left) BB48-BB72 Cat. 1
L2	B -500-R	A-Frame 1/2 (Right) BB48-BB72 Cat. 1
L3	B -501-L	A-Frame 1/2 (Left) BB84-BB96 Cat. 2
L4	B -501-R	A-Frame 1/2 (Right) BB84-BB96 Cat. 2
L5	B -700N	Shank For Box Blade
L6	B -703	Foot & Blade Welded
L7	B -704	Adjusting Pin
L9	B -705	Hairpin #10
L10	B -710N	Shank & Foot Assembly Complete
L11	B -801	Cutting Edge 4' - 1/2" x 6"
L12	B -802	Cutting Edge 5' - 1/2" x 6"
L13	B -803	Cutting Edge 5 1/2' - 1/2" x 6"
L14	B -804	Cutting Edge 6' - 1/2" x 6"
L15	B -805	Cutting Edge 7' - 1/2" x 6"
L16	B -806	Cutting Edge 8' - 1/2" x 6"
L18	BB -403	A-Frame Spacer - 1 x 2 Long
L19	BB -403-1	A-Frame Spacer - 2 1/4" Long Cat. 2
U3	HL -402-1	Lift Pin Cat. 1
U4	HL -402-2	Lift Pin Cat. 2
Z85	NB -062200C	5/8" x 2" Bolt NC GR5 HHCS Zinc
Z87	NB -062200CPB	5/8 x 2 Bolt-Plow
Z97	NB -062400C	5/8" x 4" Bolt NC GR5 HHCS Zinc
Z99	NB -062CNL	5/8 Nut NC w/Nylon