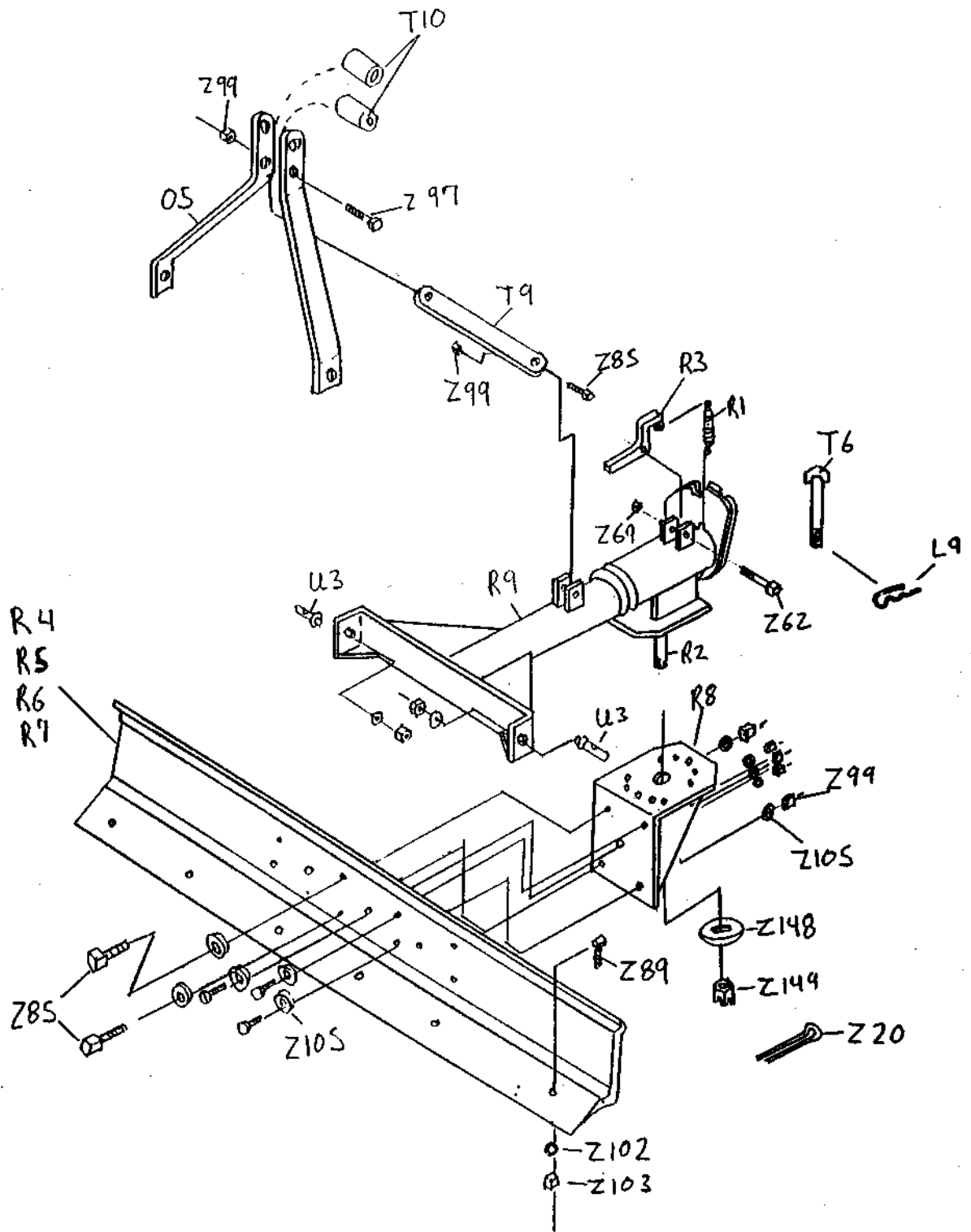


FARM BLADE



FARM BLADE

REF	PART NO.	DESCRIPTION
L9	B-705	HAIRPIN #10
O5	DH-401	A-FRAME -HEAVY
R1	FB-007	FARM BLADE LATCH SPRING , 1 1/2 LONG
R2	FB-0112	ROD 1.25 OD HRRR X 5 FB THREADED
R3	FB-0114	WELDED FARM BLADE LATCH
R4	FB-101	MOLDBOARD 6'
R5	FB-102	MOLDBOARD 7'
R6	FB-103	MOLDBOARD 8'
R7	FB-104	MOLDBOARD 5'
R8	FB-200-W	ANGLE PLATE - ASSEMBLY
R9	FB-300	WELDED FARM BLADE, MAIN FRAME
T6	GB-P71031WC	PULL PIN
T9	GB-400	BRACE GRADER BLADE
T10	GB-403	SPACER 3/4" LO CAT I
U3	HL-402-1	LIFT PIN CAT I
Z20	NB-031250CP	5/16" X 2 1/2" COTTERPIN
Z62	NB-050350C	1/2" X 3 1/2" BOLT NC GR5 HHCS ZINC
Z69	NB-050CNL	1/2 NUT NC NYLON INS
Z85	NB-062200C	5/8" X 2" BOLT NC GR5 HHCS ZINC
Z89	NB-062250CPB	5/8" X 2 1/2" PLOW BOLT
Z97	NB-062400C	5/8" X 4" BOLT NC GR5 HHCS ZINC
Z99	NB-062CNL	5/8 NUT NC W/NYLON
Z102	NB-062LW	WASHER
Z103	NB-062NC	5/8 NUT NC
Z105	NB-062W	5/8 FLAT WASHER
Z148	NB-125FW	FLAT WASHER 1 1/4
Z149	NB-125SN	SLOTTED NUT 1 1/4 NC