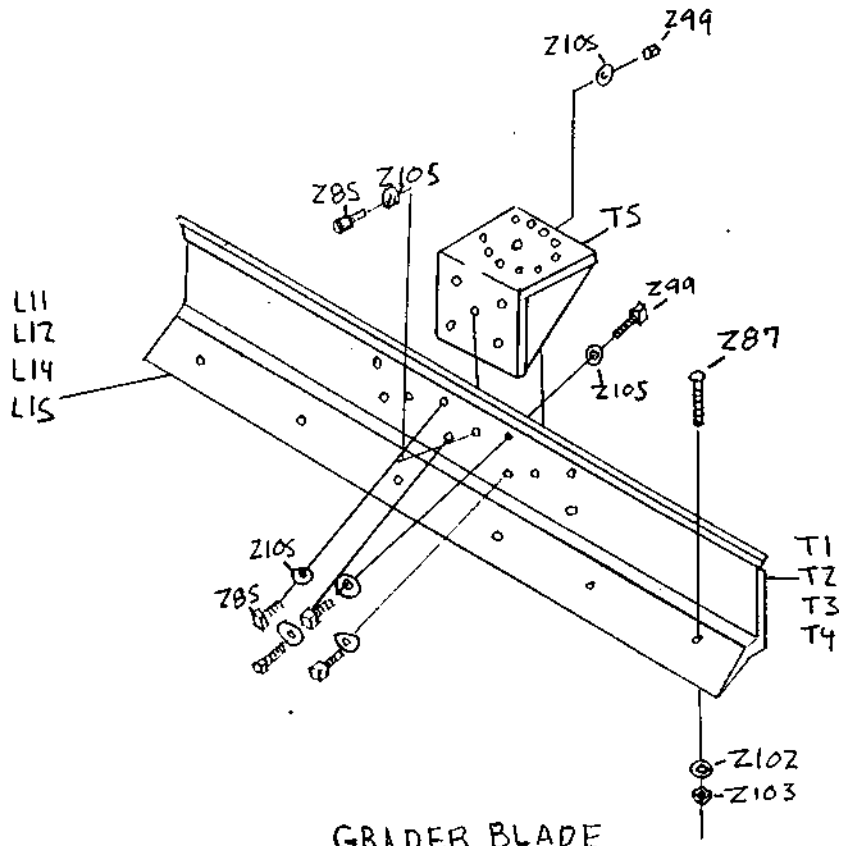
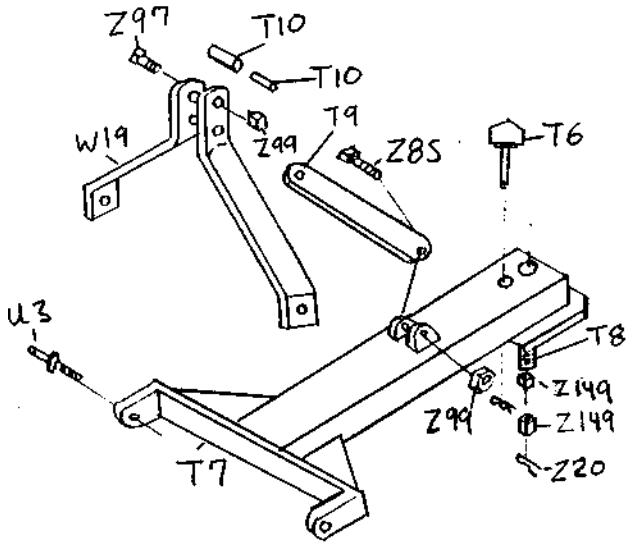


GRADER BLADE



GRADER BLADE

GRADER BLADE

REF.	PART NO.	DESCRIPTION
L11	B-801	CUTTING EDGE 4' - 1/2" X 6"
L12	B-802	CUTTING EDGE 5' - 1/2" X 6"
L14	B-804	CUTTING EDGE 6' - 1/2" X 6"
L15	B-805	CUTTING EDGE 7' - 1/2" X 6"
T1	GB-100	MOLDBOARD 4' FOR GB4
T2	GB-101	MOLDBOARD 6' FOR GB6
T3	GB-102	MOLDBOARD 7' FOR GB7
T4	GB-104	MOLDBOARD 5' FOR GB5
T5	GB-200-W	ANGLE PLATE ASSEMBLY FOR GB SERIES
T6	GB-P71031WC	PULL PIN
T7	GB-300	MAIN FRAME WELD CAT I
T8	GB-300-1A	GB THREADED STUD
T9	GB-400	BRACE GRADER BLADE
T10	GB-403	SPACER 3/4" LO CAT I
U3	HL-402-1	LIFT PIN CAT I
W19	LML401	A-FRAME, CAT 1 3/8 X 2 1/2
Z20	NB-031250CP	5/16" X 2 1/2" COTTERPIN
Z85	NB-062200C	5/8" X 2" BOLT NC GR5 HHCS ZINC
Z87	NB-062200CPB	5/8x2 BOLT-PLOW
Z97	NB-062400C	5/8" X 4" BOLT NC GR5 HHCS ZINC
Z99	NB-062CNL	5/8 NUT NC W/NYLON
Z102	NB-062LW	WASHER
Z103	NB-062NC	5/8 NUT NC
Z105	NB-062W	5/8 FLAT WASHER
Z149	NB-125SN	SLOTTED NUT 1 1/4 NC