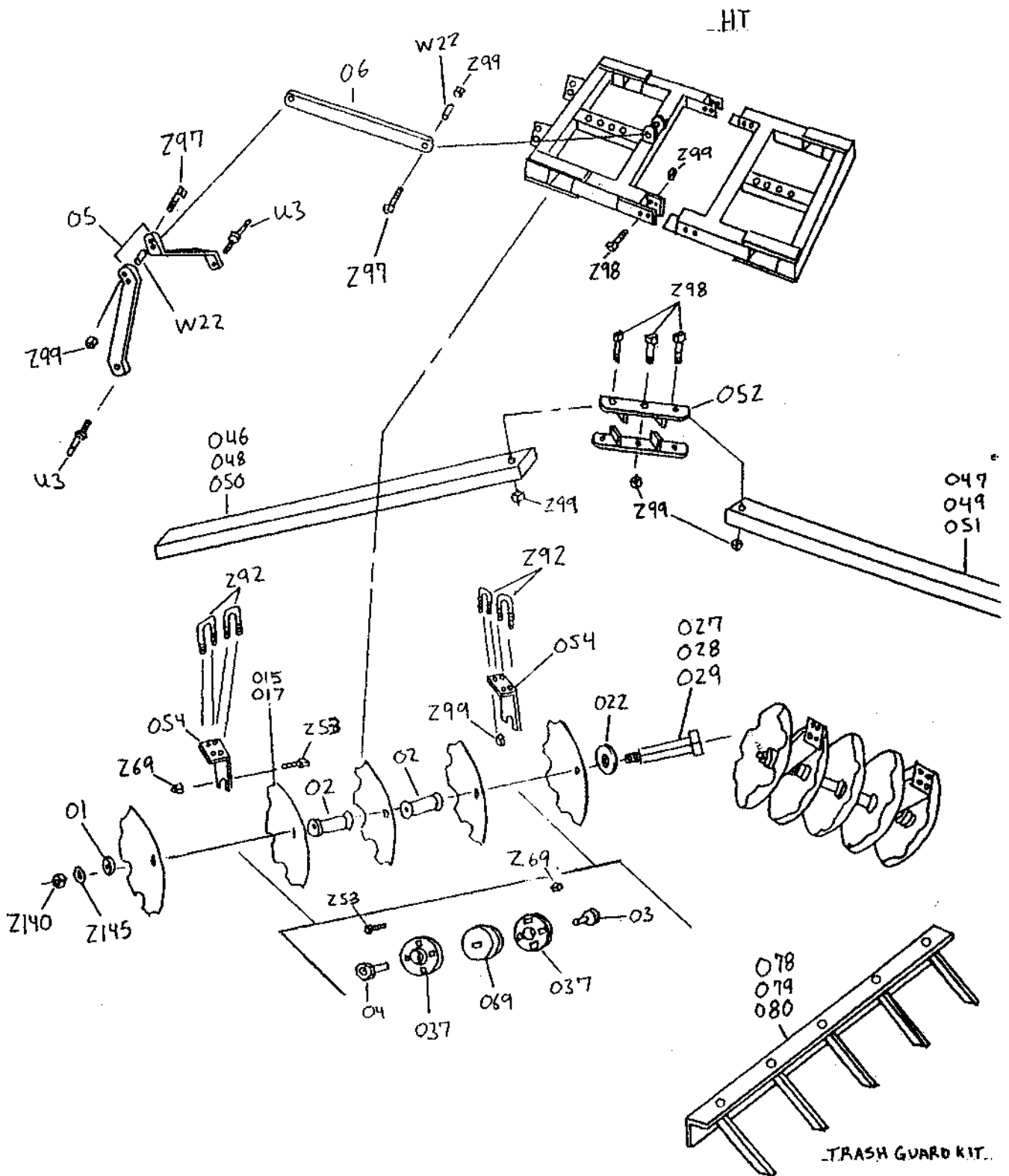


9 PARTS LIST

TANDEM DISC HARROW



TANDEM DISC HARROW

REF.	PART NO.	DESCRIPTION
O1	DH-101	DISC WASHER HD END
O2	DH-103	DISC SPOOL HD 9" PLAIN
O3	DH-105	DISC SPACER HD 1/2 SM BELL 9"
O4	DH-106	DISC SPACER HD 1/2 9" LG. BELL
O5	DH-401	A-FRAME -HEAVY
O6	DH-405	BRACE - DISC (EXCEPT ANGLE FRAME)
O15	DH-B20N138	BLADE - DISC 20" NOTCHED
O17	DH-B22N177	BLADE - DISC 22" NOTCHED
O22	DH-CFG-4	DISC WASHER - LARGE BUMPER
O27	DH-H49	AXLE - 4 BLADE ON 9" 1 1/8 X 32
O28	DH-H59	AXLE - 5 BLADE ON 9" 1 1/8 X 41
O29	DH-H69	AXLE - 6 BLADE ON 9" 1 1/8 X 50
O37	DH80MM-4SQ	FLANGE 4 BOLT SQUARE FOR DISC
O46	DHA-300	ARMS 32" - 6' DISC - FRONT HALF - HEAVY
O47	DHA-301	ARMS 36" - 6' DISC - REAR HALF - HEAVY
O48	DHA-302	ARMS 41" - 7 1/2' DISC - FRONT HALF -HEAVY
O49	DHA-303	ARMS 45" - 7 1/2" DISC - REAR HALF - HEAVY
O50	DHA-304	ARMS 50" - 9' DISC - FRONT HALF - HEAVY
O51	DHA-305	ARMS 54" - 9 DISC - REAR HALF - HEAVY
O52	DHAB-100	CENTER ARM BRACKET
O54	DHBH-100	HANGER - BALL BEARING - HT & HTR MODEL
O69	DHPPB5	1 1/8" SEALED BEARING
O78	5353	TRASH GUARD KIT 6' - HT & HTR W/9" SPA
O79	5354	TRASH GUARD KIT 7 1/2' - HT & HTR W/9" SPA
O80	5355	TRASH GUARD KIT 9' - HT
U3	HL-402-1	LIFT PIN CAT 1
W22	LML403	SPACER CAT 1 1X1 1/4
Z53	NB-0501150CCB	1/2 x 1 1/2 GR5 CARR
Z69	NB-050CNL	1/2 NUT NC NYLON IN\$
Z92	NB-062300450U	5/8" X 3" X 4 1/2" U-BOLT
Z97	NB-062400C	5/8" X 4" BOLT NC GR5 HHCS ZINC
Z98	NB-062500C	5/8" X 5" BOLT NC GR5 HHCS ZINC
Z99	NB-062CNL	5/8 NUT NC W/NYLON
Z140	NB-112C	1 1/8" NUT HEX
Z145	NB-112LW	LOCK WASHER 1 1/8