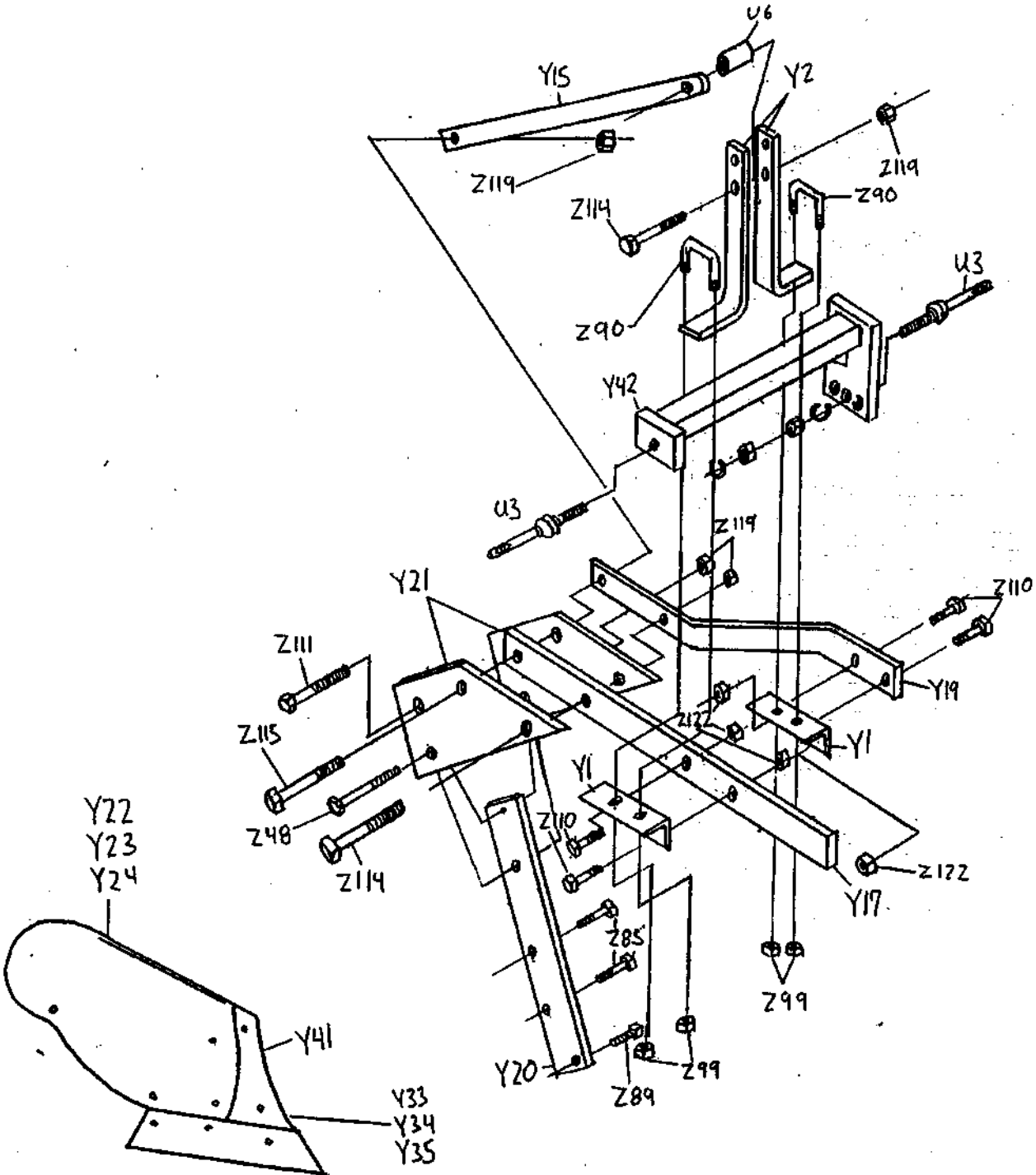
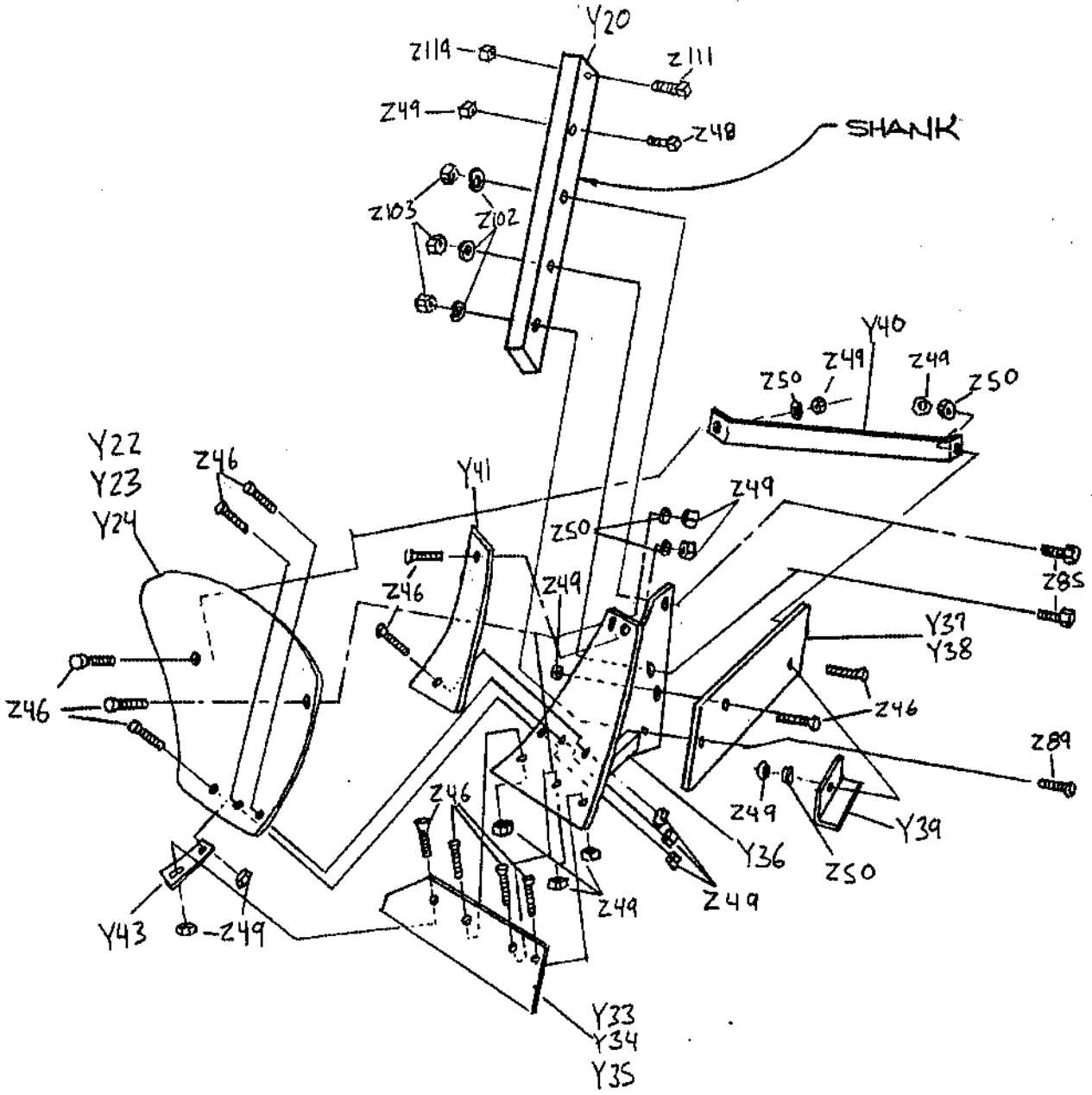




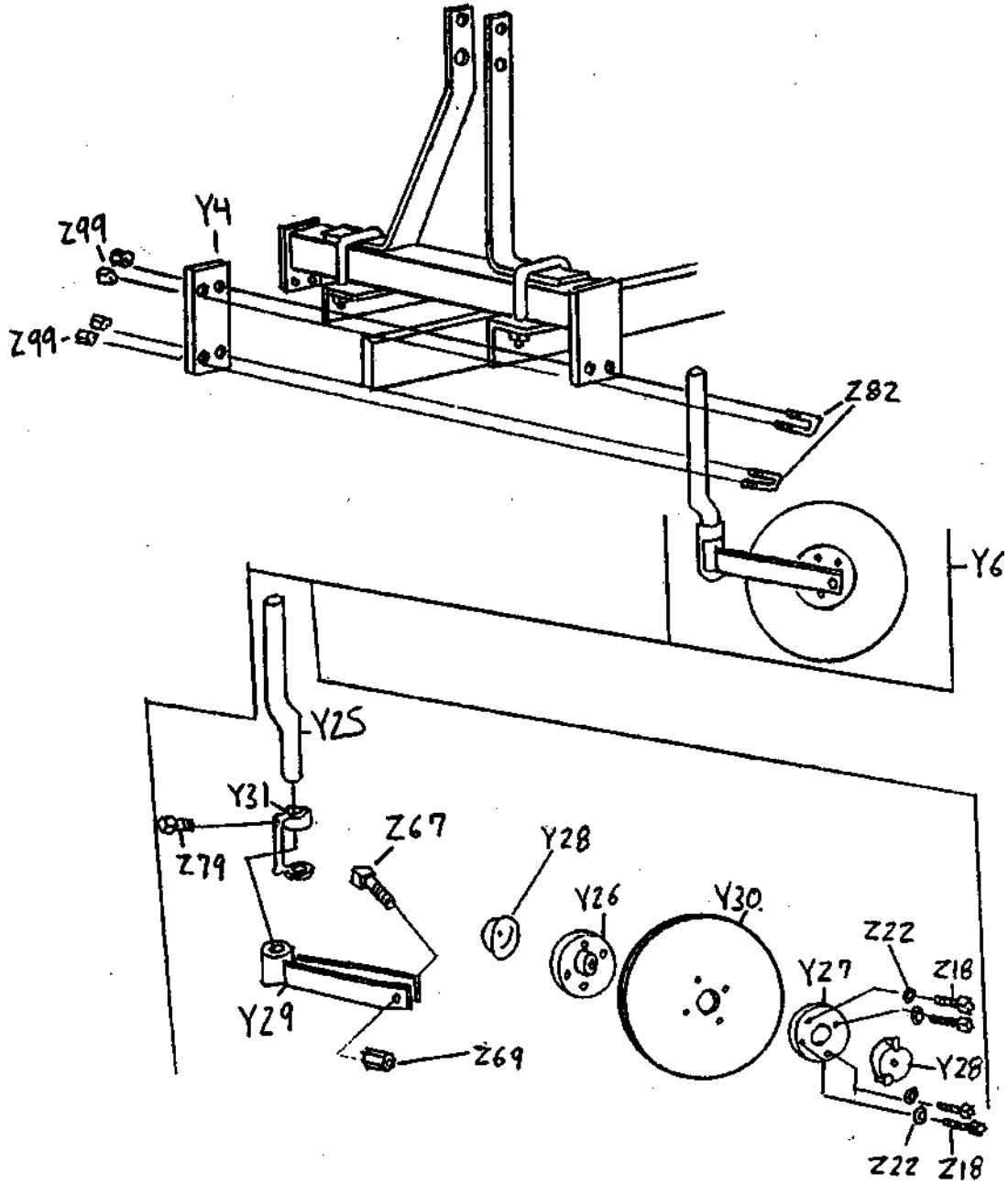
MOLDBOARD PLOW  
1 ROW



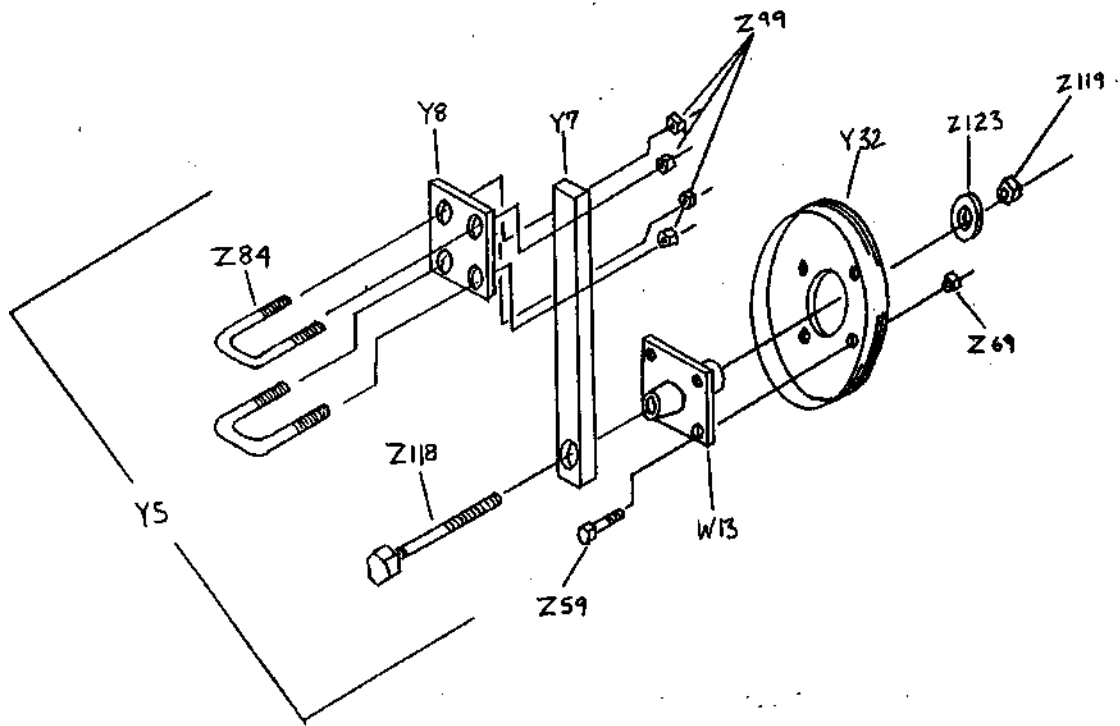
FROG/MOLDBOARD FLOW  
BOTTOM ASSEMBLY



MOLDBOARD FLOW  
COULTER KIT



**MOLDBOARD PLOW  
DEPTH GAUGE KIT**



## MOLDBOARD PLOW

REF.	PART NO.	DESCRIPTION
U3	HL-402-1	LIFT PIN CAT 1
U6	HL-403	SPACER 1 1/2" CAT 2
Y1	MPH-080010	RISER MOUNT ANGLE
Y2	MPH-080011	A FARME RIGHT SIDE
Y3	MPH-080012	A FRAME LEFT SIDE
Y4	MPH-080016	COULTER KIT MOUNT. P
Y6	MPH-080018	COULTER KIT MPH
Y9	MPH-080023	CROSS BRACE - 2 & 3 BOTTOM 12" REAR
Y10	MPH-080025	CROSS BRACE - 2 & 3 BOTTOM 12" FRONT
Y11	MPH-080027	CROSS BRACE - 2 & 3 BOTTOM 14" REAR
Y12	MPH-080027A	CROSS BRACE - 2 & 3 BOTTOM 16" REAR
Y13	MPH-080027B	CROSS BRACE - 2 & 3 BOTTOM 16" FRONT
Y14	MPH-080028	CROSS BRACE - 2 & 3 BOTTOM 14" FRONT
Y15	MP-080031	STRUT BRACE
Y17	MPH-080032	MAIN BEAM HEAVY
Y18	MPH-080033	MAIN BEAM LONG 2 & 3 BOTTOM PLOW
Y19	MPH-080034	CROSS BAR ALL ONE BOTTOM MPH
Y20	MPH-080037A	SHANK HEAVY
Y21	MPH-080038	SHANK SIDE PLATE
Y22	MP-104404	MOLDBOARD 12"
Y23	MP-104409	MOLDBOARD 14"
Y24	MP-104412	MOLDBOARD 16"
Y25	MP-8029	COULTER SHANK
Y26	MP-8035D	COULTER HUB
Y27	MP-8036	COULTER BLADE WASHER
Y28	MP-8051	COULTER HUB CAP
Y29	MP-8083	COULTER YOKE WELDED
Y30	MP-8107	COULTER BLADE 14"
Y31	MP-8191	COULTER LOCK CAST
Y33	MP-EWF12S	BLADE 12"
Y34	MP-EWF144	BLADE 14"
Y35	MP-EWF164	BLADE 16"
Y36	MP-F-400F	FROG WELDED ALL PLOW
Y37	MP-F-405	LANDSLIDE SHORT
Y38	MP-F-406	LANDSLIDE LONG
Y39	MP-F-407	ANGLE HEEL
Y40	MP-F-408	FROG MOLDBOARD BRACE
Y41	WF-3S	MP SHIN
Y42	MPH-080005	WELDED LOWER LINK

### MOLDBOARD PLOW

REF.	PART NO.	DESCRIPTION
Y43	MP-F404	REINFORCEMENT BAR 14" & 16"
Z46	MP-043150CPB	7/16x1 1/2 PLOW BOLT
Z48	MP-043300C	7/16x3 BOLT
Z49	NB-043CNL	7/16 NUT NC NYLON
Z50	NB-043W	7/16 FLAT WASHER
Z67	NB-050650C	1/2" X 6 1/2" BOLT NC GR5 HHCS ZINC
Z69	NB-050CNL	1/2 NUT NC NYLON INS
Z79	NB-062125SS	SET SCREW 5/8x1 1/4
Z82	NB-062137275U	U-BOLT-COULTER KIT
Z85	NB-062200C	5/8" X 2" BOLT NC GR5 HHCS ZINC
Z89	NB-062250CPB	5/8" X 2 1/2" PLOW BOLT
Z90	NB-062300350U	5/8" X 3" X 3 1/2" U-BOLT
Z99	NB-062CNL	5/8 NUT NC W/NYLON
Z102	NB-062LW	WASHER
Z103	NB-062NC	5/8 NUT NC
Z110	NB-075250F	3/4x2 1/2 BOLT
Z111	NB-075300C	3/4" X 3" BOLT NC GR5 HHCS ZINC
Z112	NB-075300F	3/4" X 3" BOLT NF GR5 HHCS ZINC
Z114	NB-075400C	3/4" X 4" BOLT NC GR5 HHCS ZINC
Z115	NB-075450C	3/4" X 4.5" BOLT NC GR5 HHCS ZINC
Z119	NB-075CNL	3/4 NUT W/NYLON INS
Z122	NB-075FNL	3/4 NUT W/NYLON INSERT FINE