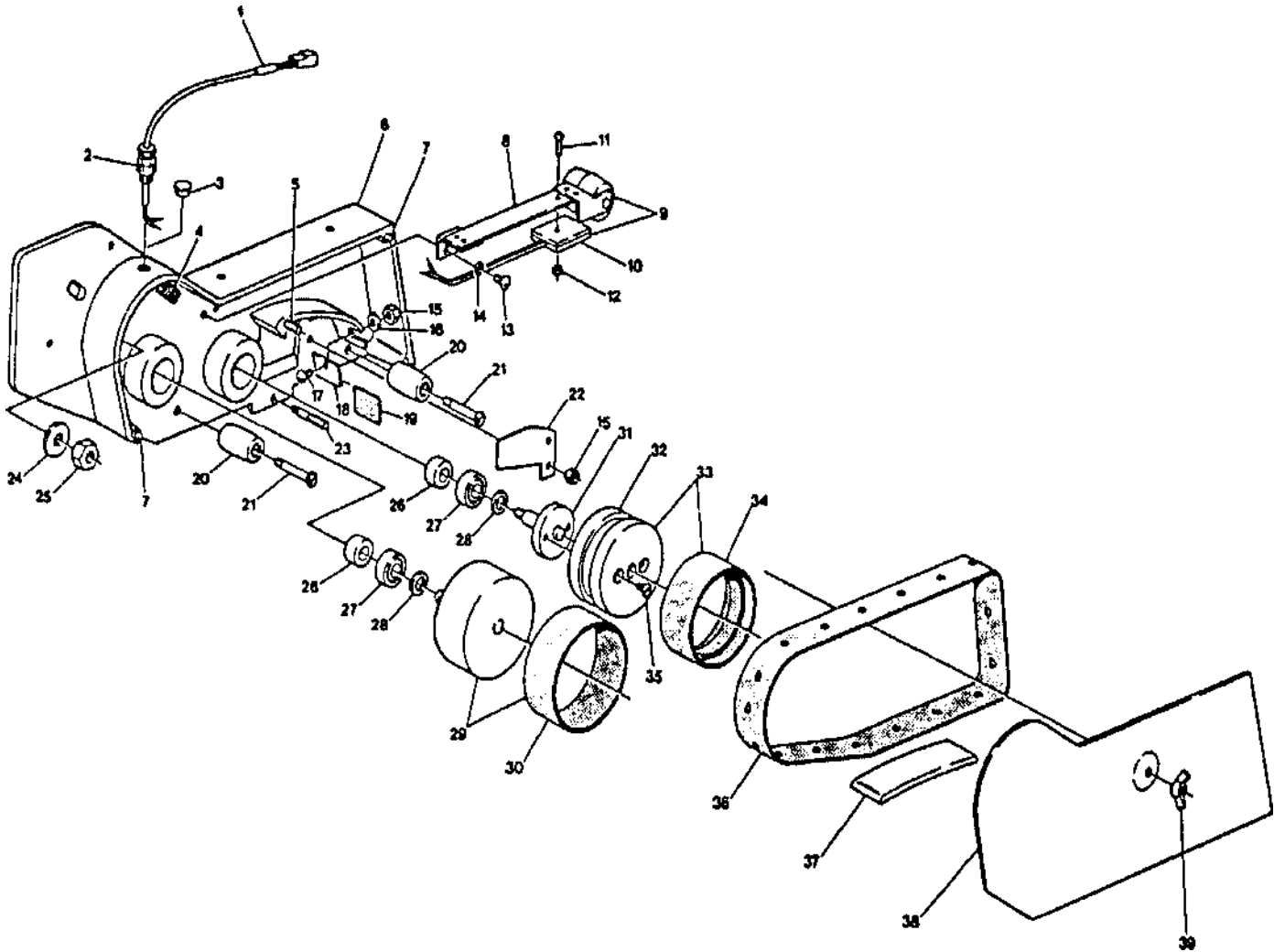


Stanhay S870

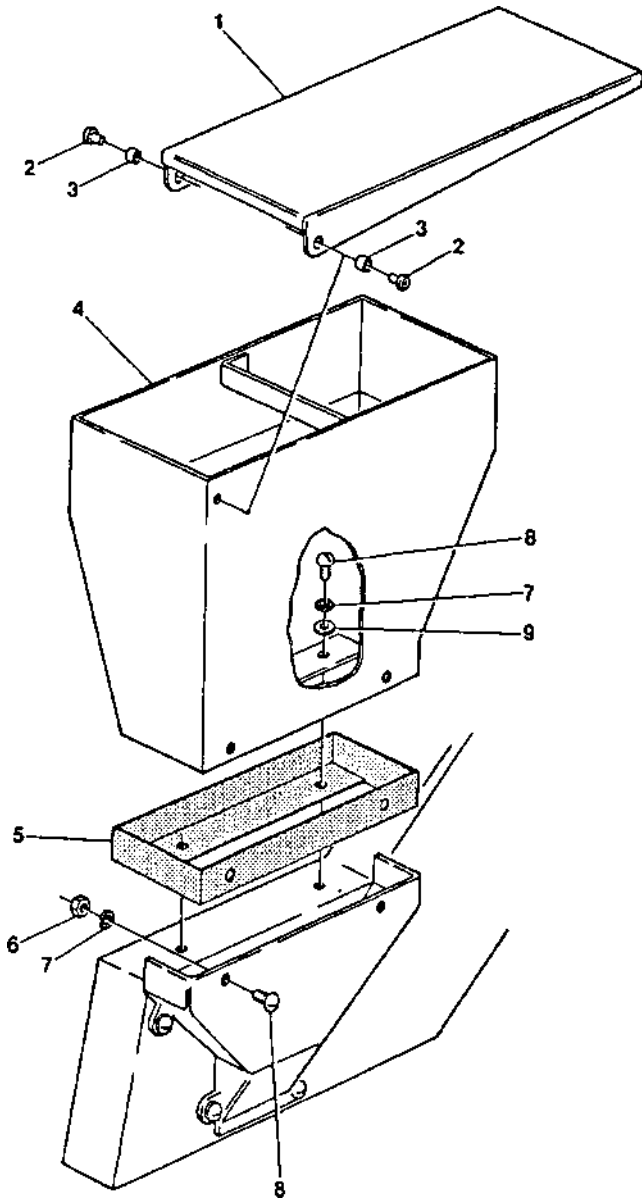
Robin 850

STANHAY

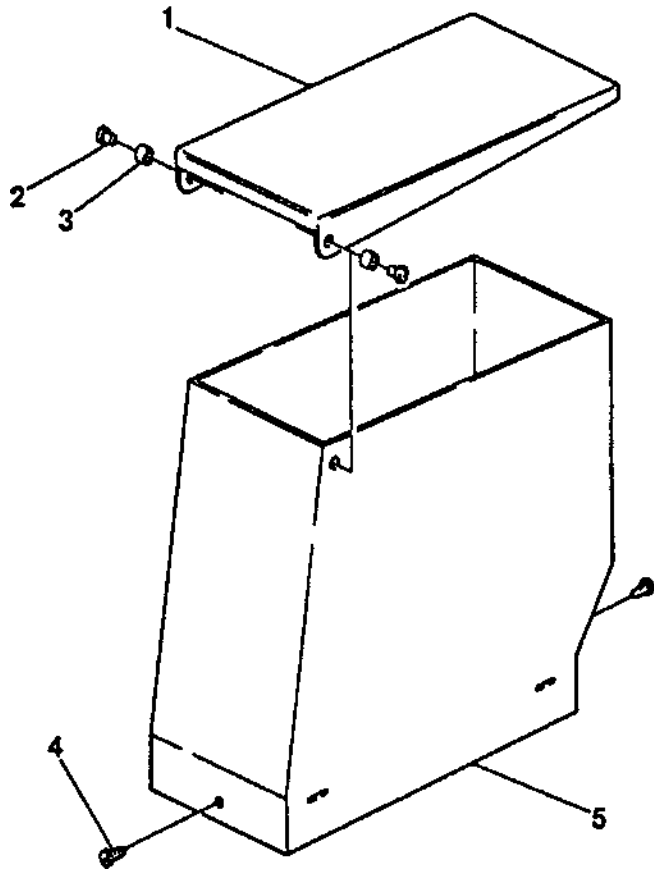
METERING UNIT



SEED HOPPER

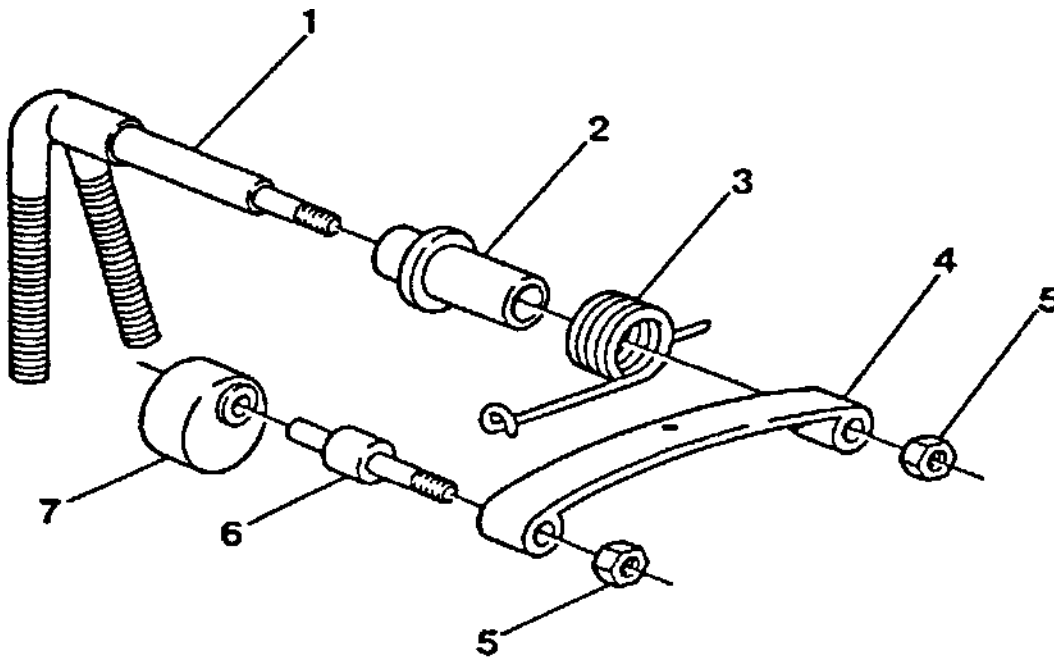


SEED HOPPER EXTENSION



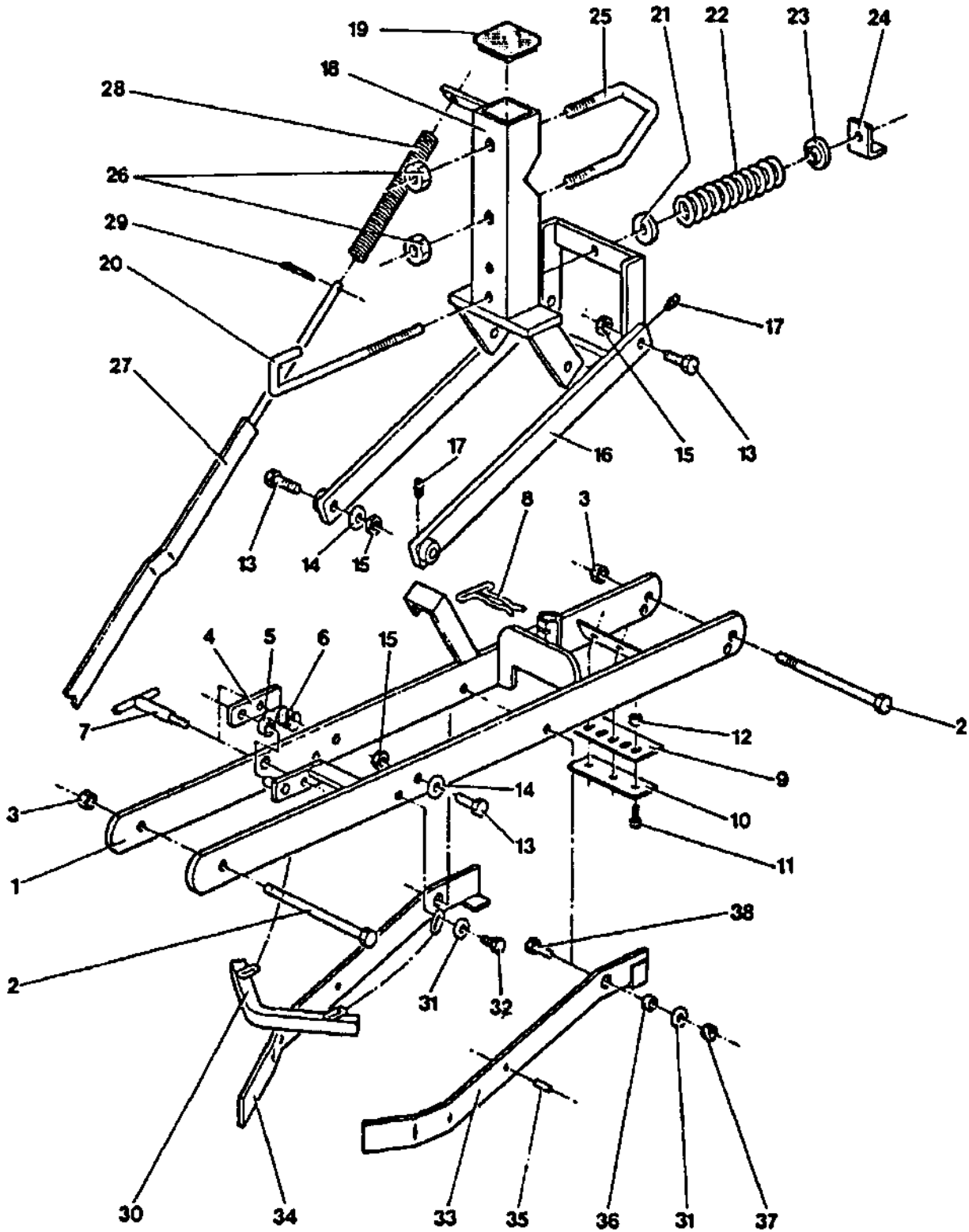
STANHAY

AGITATOR



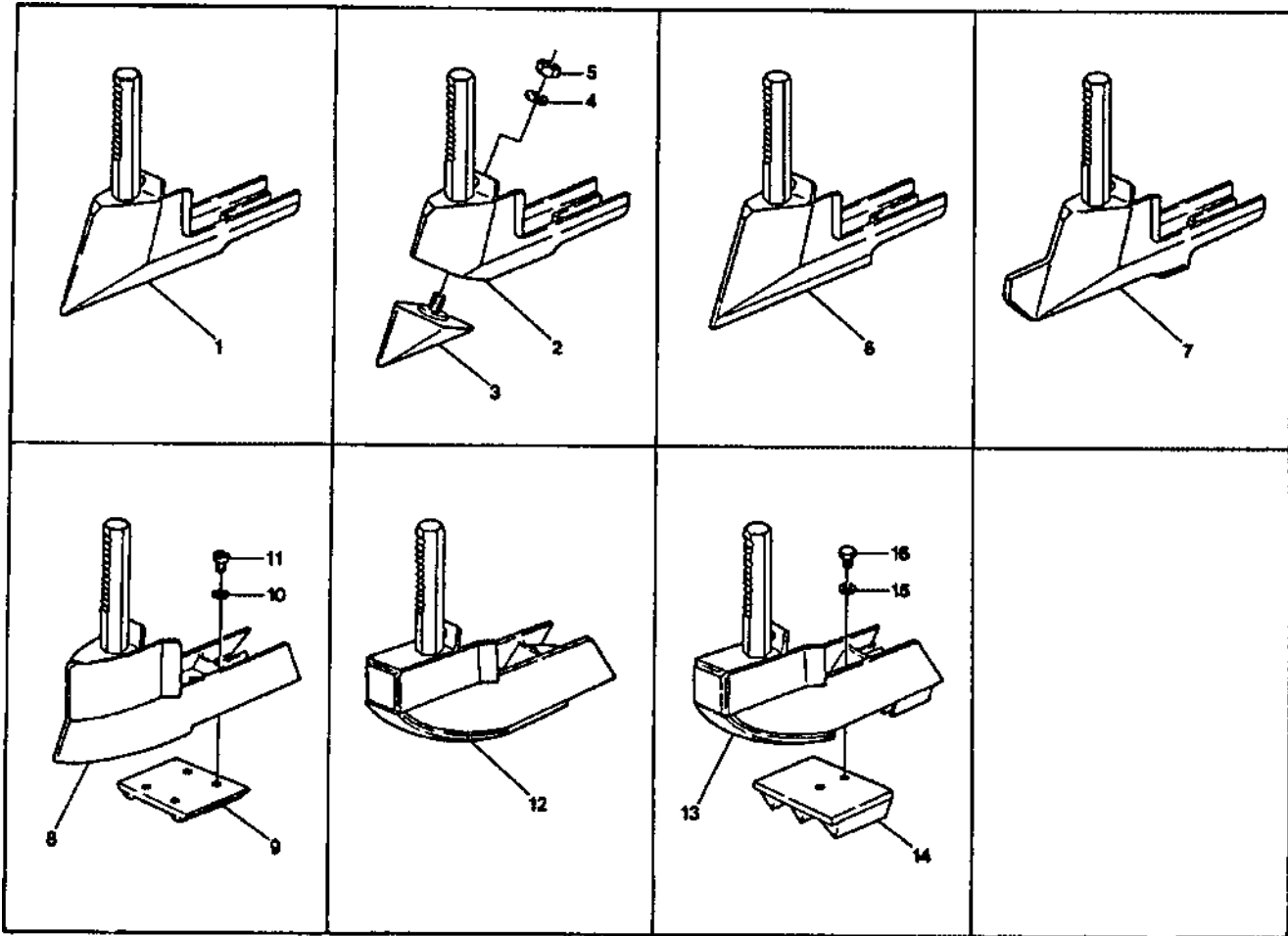
STANHAY

CHASSIS



STANHAY

COULTERS

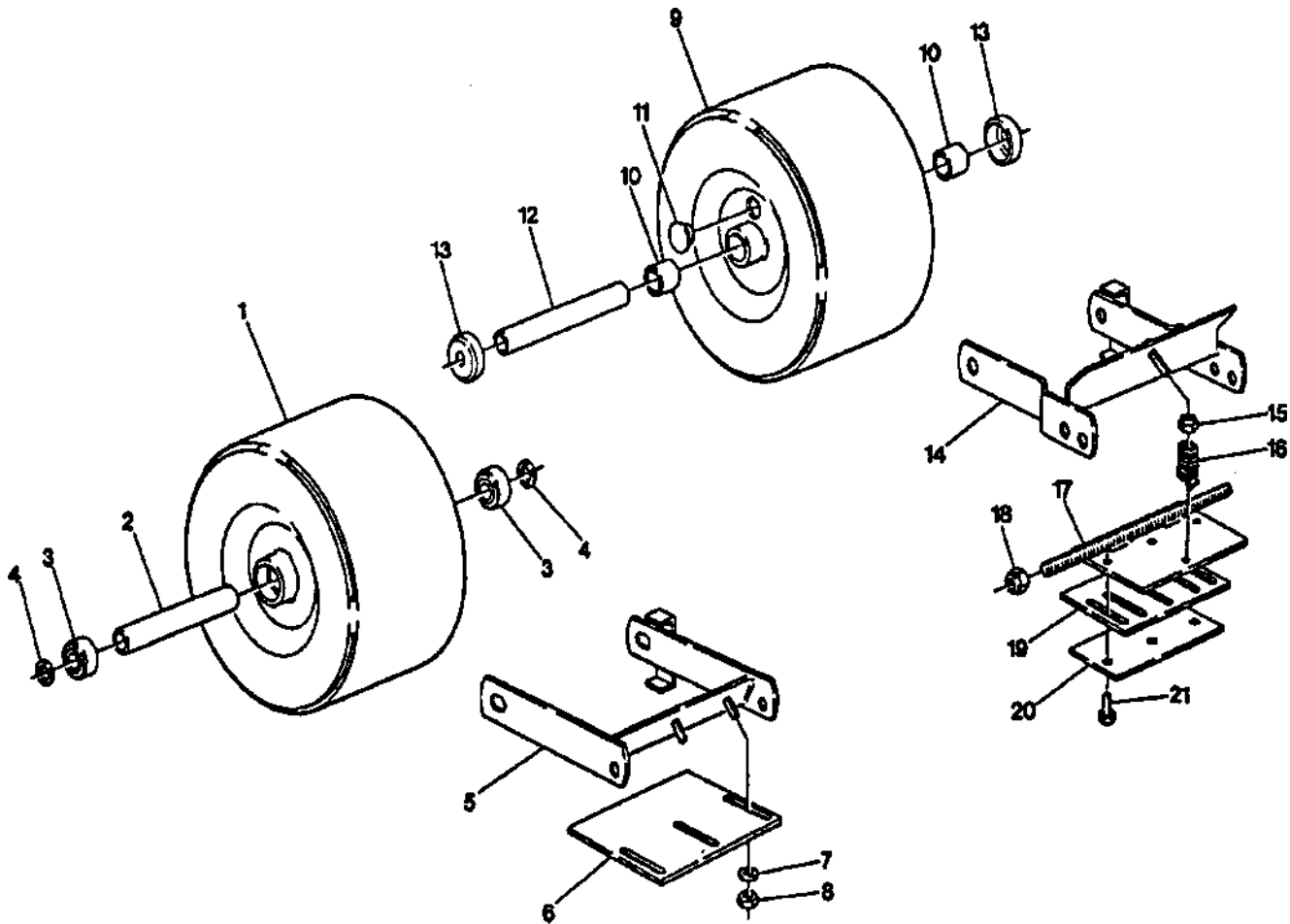


Coulters		
-----------------	--	--

Pos.	Number	Description
1	7400034	Steel Coulter
2	7702270	Ceramic Coulter
2	7402318	Coulter Body
3	8002157	Ceramic Tip
4	2311090	Washer
5	2303008	Nut
6	7401059	Keeled Coulter
7	7402472	Vegetable Coulter
7	7402628	Curved Nose Coulter
8	7700042	25mm x 3 Coulter Assy.
8	7700044	50mm x 2 Coulter Assy.
8	7700046	38mm x 3 Coulter Assy.
8	7700048	76mm x 2 Coulter Assy.
9	3000004	25mm x 3 Coulter Base
9	3000006	50mm x 2 Coulter Base
9	3000008	38mm x 3 Coulter Base
9	3000010	76mm x 2 Coulter Base
10	2310401	Washer
11	2319360	Screw
12	7402878	100mm Band Coulter
13	7702787	100mm x 3 Coulter Assy.
13	7702788	100mm x 2 Coulter Assy.
14	6902574	100mm x 3 Coulter Base
14	6902580	100mm x 2 Coulter Base
15	2311215	Washer
16	2309045	Screw
Kits		
	8002159	Ceramic Coulter(2)
	8002158	Ceramic Coulter Tips(4)

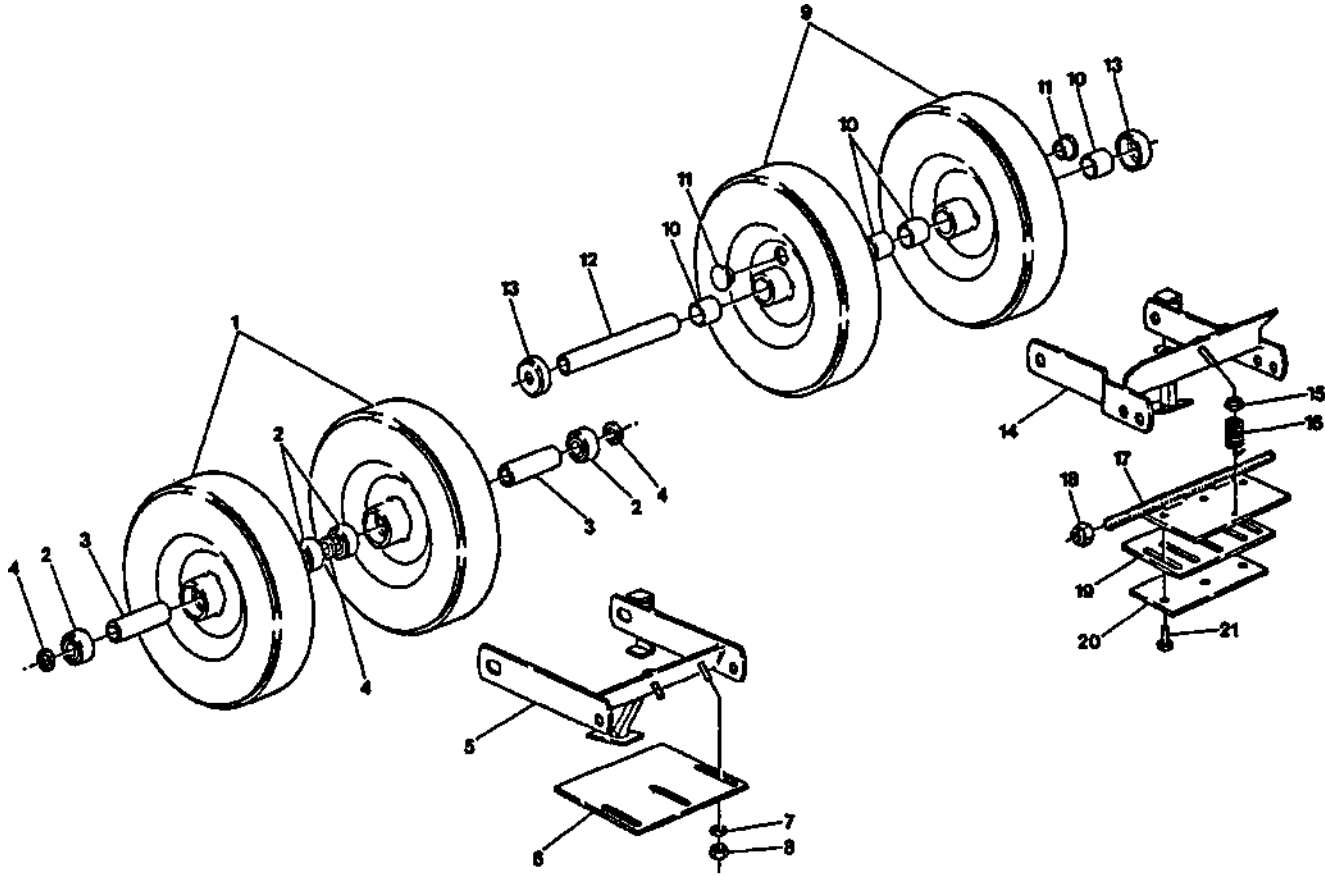
STANHAY

STAINLESS & 120MM WIDE STEELWHEELS



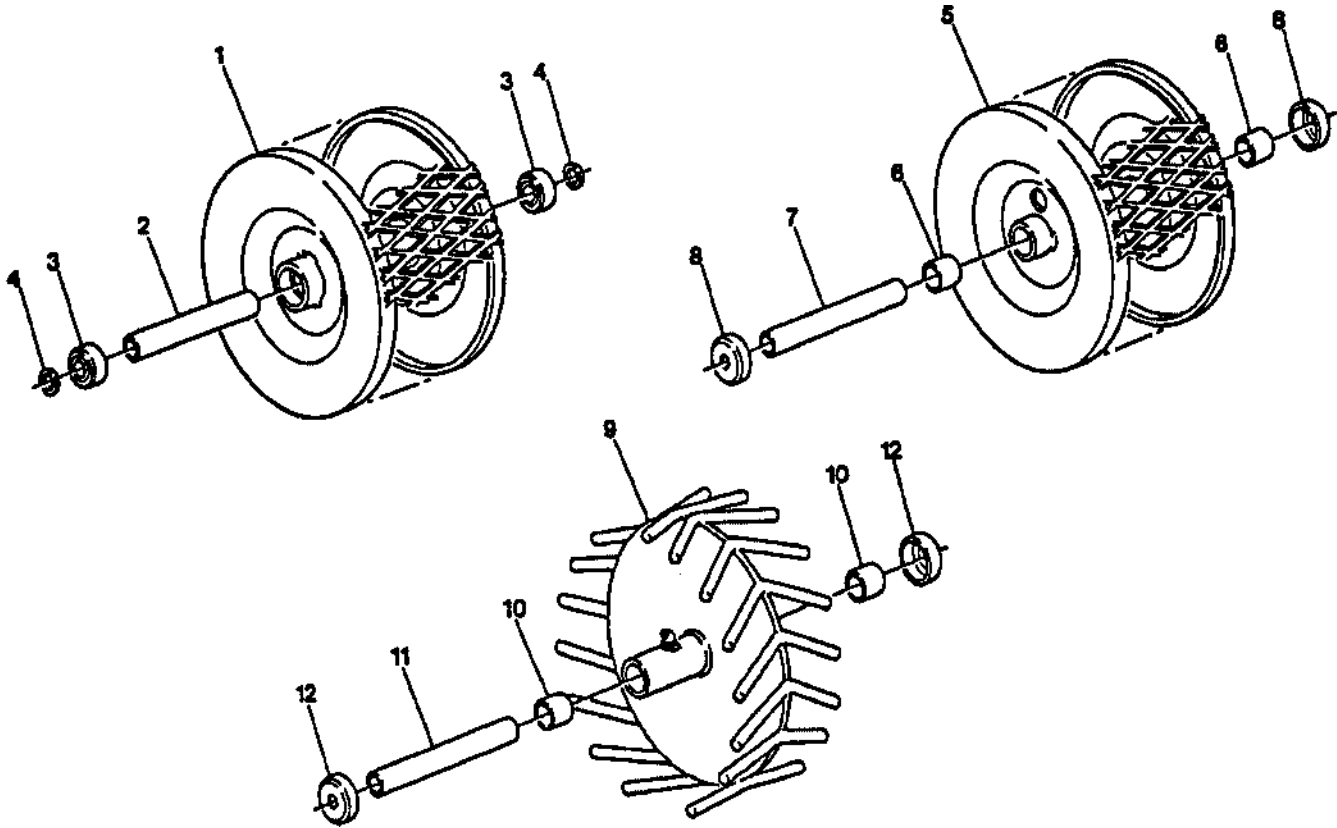
STANHAY

ANTI-CAPPING WHEELS

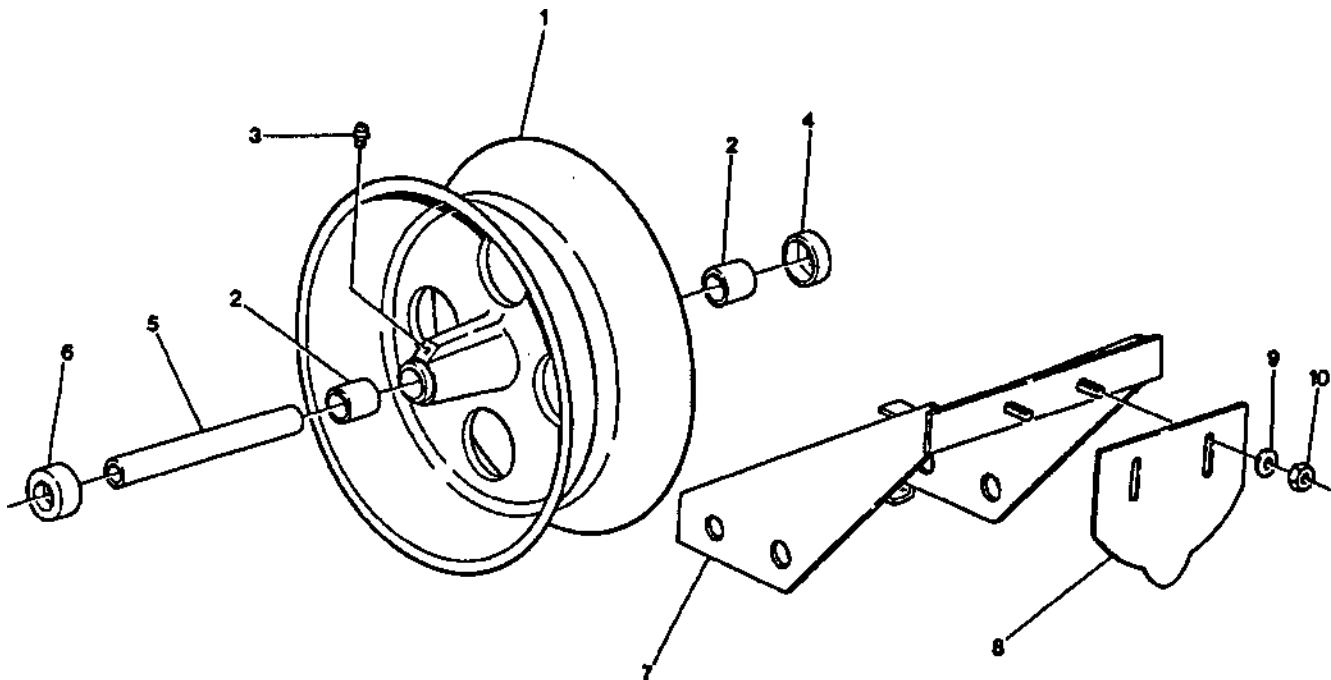


STANHAY

CAGE & SKELETON WHEELS

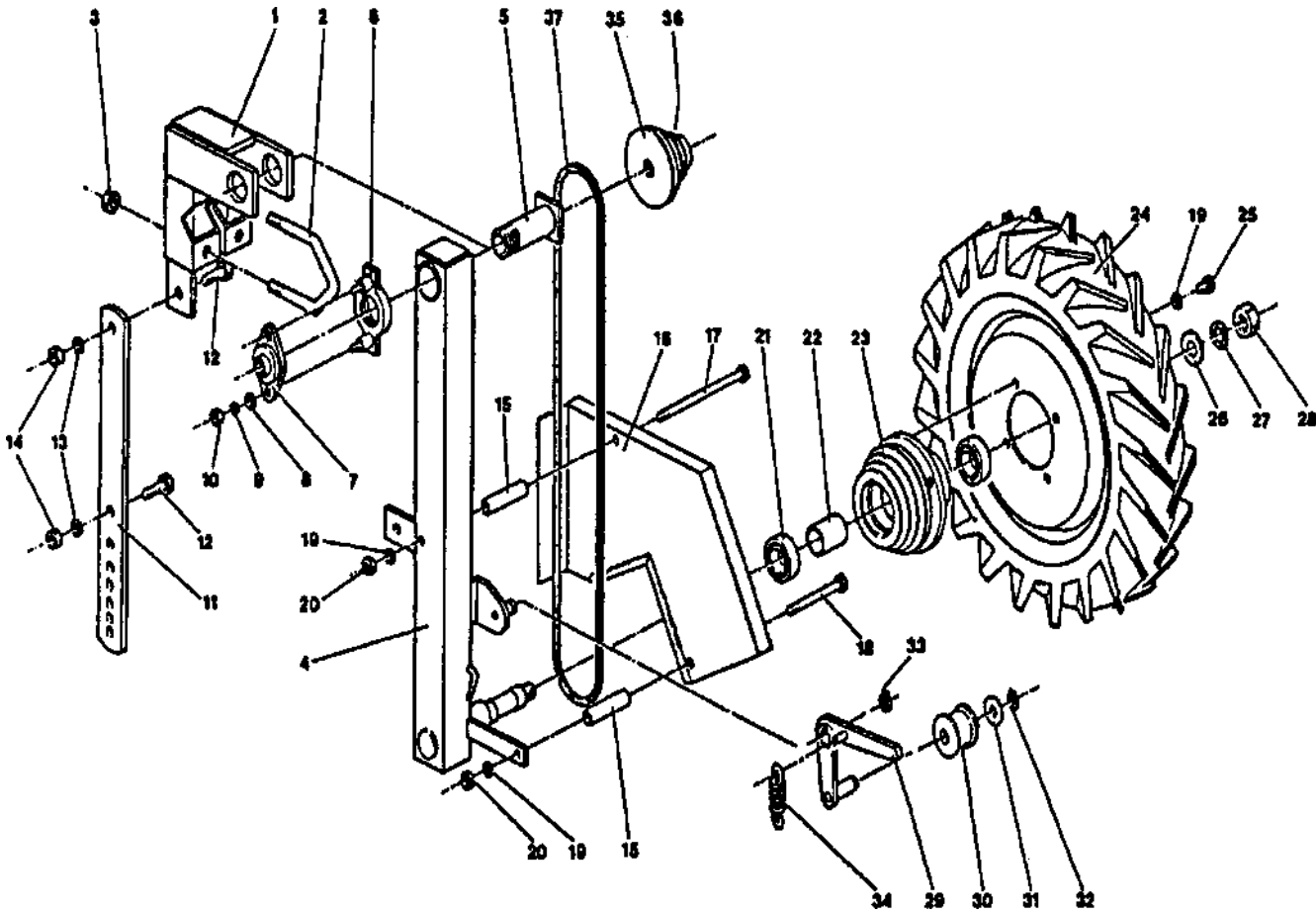


CONCAVE WHEEL



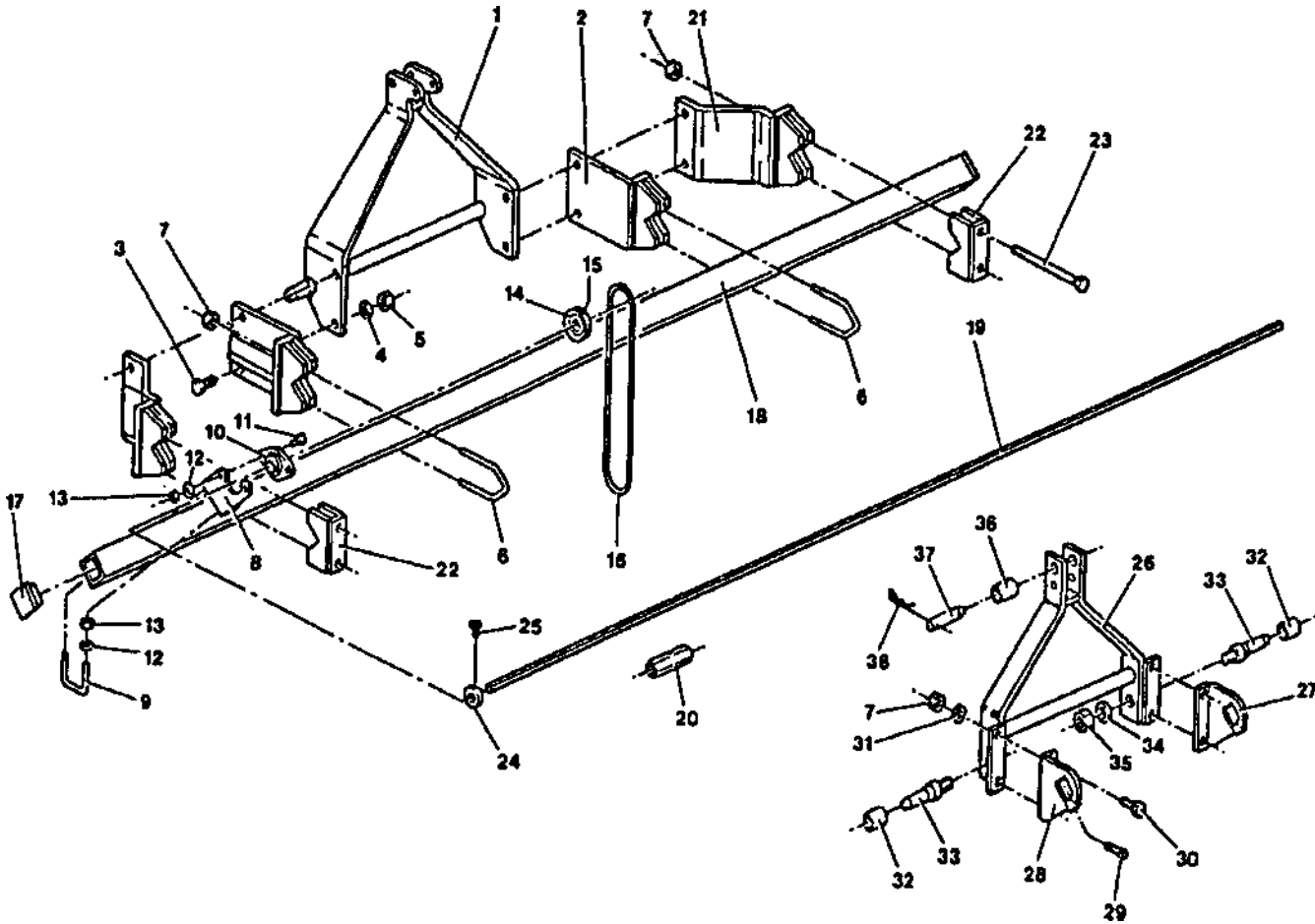
STANHAY

ADJUSTABLE LAND WHEEL



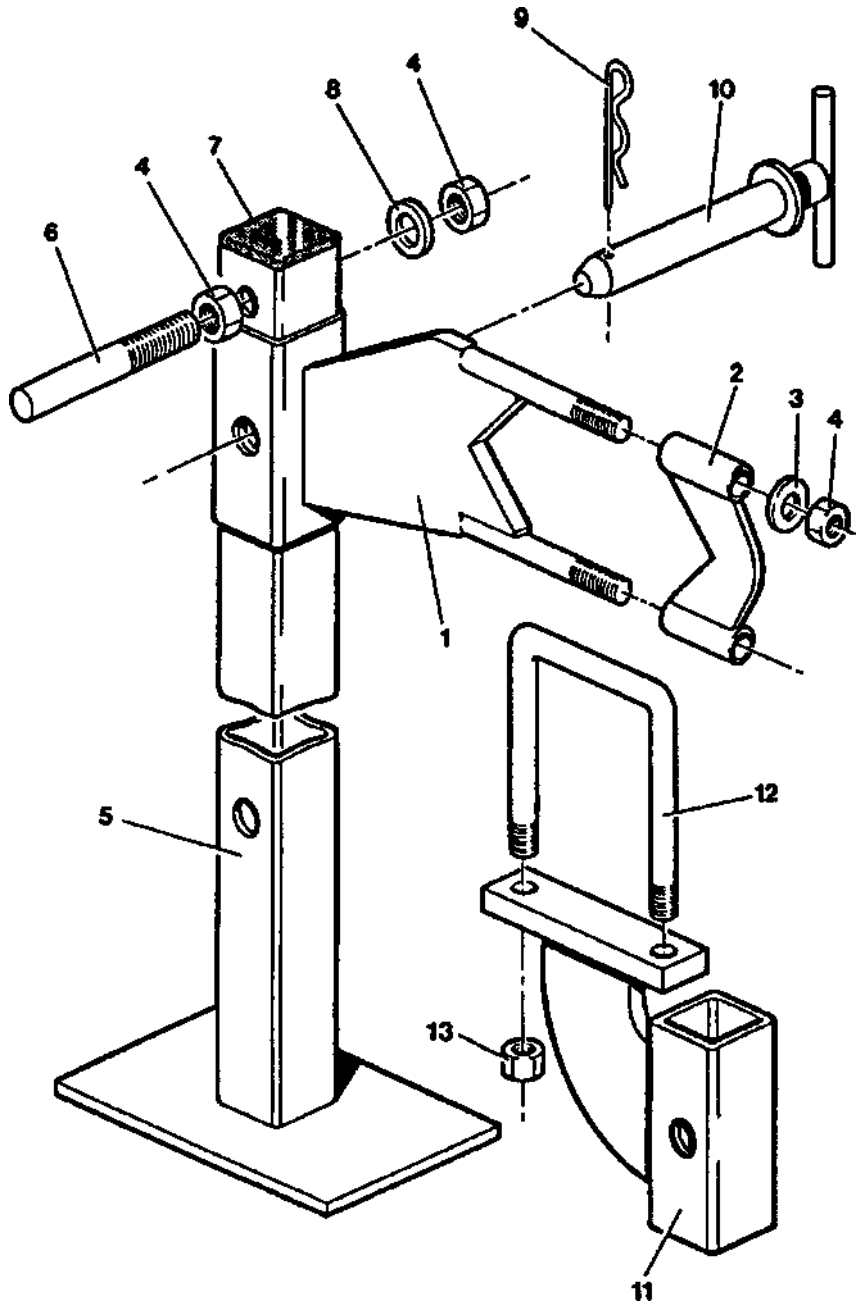
STANHAY

A-FRAME, TOOLBAR & DRIVE SHAFT



STANHAY

PARKING STAND



STANHAY

ELECTRICAL MONITORING SYSTEM

